

Hypertherm®

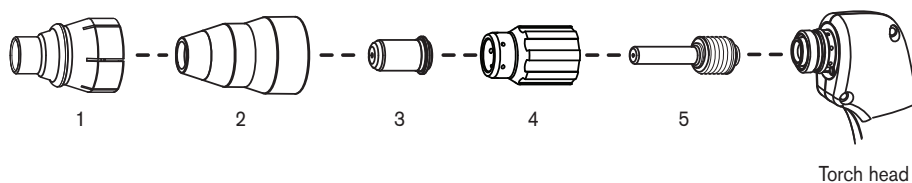
powermax30®

Hand torch parts

T30v consumables



Powermax30



T30v torch

ITEM NUMBER	PART NUMBER	DESCRIPTION	QUANTITY PER PACKAGE
1	220569	Deflector (optional)	1
2	220483	Retaining cap	1
3	220480	Nozzle	5
4	220479	Swirl Ring	1
5	220478	Electrode	5

Genuine Hypertherm Consumables

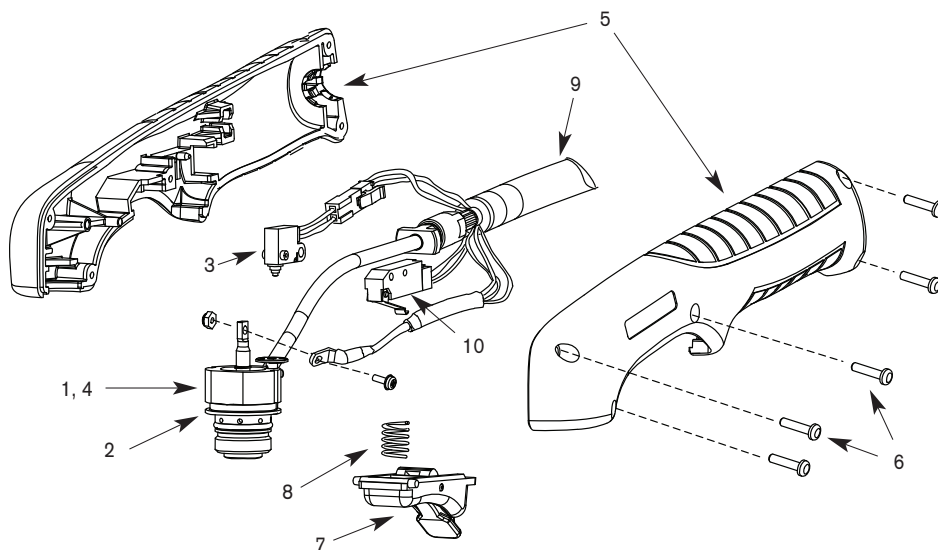
The only way to ensure maximum performance

WARNING

In countries following CE standards, unshielded consumables may only be used in mechanized torch applications.

Unshielded consumables: maintain torch-to-work distance of approximately 3/16" (4.8 mm).

Powermax30 T30v safety trigger torch assembly



T30v torch

ITEM NUMBER	PART NUMBER	DESCRIPTION
1	228112	Kit: T30v main body replacement
2	058503	O-ring: Viton .626 x .070
3	228109	Kit: Cap-off sensor replacement
4	228110	Kit: T30v torch head repair
5	228111	Kit: T30v torch handle replacement
6	075339	Handle screws
7	002244	Safety trigger
8	027254	Spring
9	228113	Kit: T30v 15 ft (4.6 m) torch lead replacement
10	128642	Kit: T30v start switch replacement

^Assembly includes consumables

Hypertherm and Powermax are trademarks of Hypertherm, Inc. and may be registered in the United States and/or other countries.

Hypertherm®

Hypertherm, Inc. USA 603-643-3441 Tel 603-643-5352 Fax manual.info@hypertherm.com

Hypertherm Automation USA 603-298-7970 Tel 603-298-7977 Fax info@hyperthermautomation.com

Hypertherm Plasmatechnik GmbH Deutschland 49 6181 58 2100 Tel 49 6181 58 2134 Fax
HTDeutschland.info@hypertherm.com

Hypertherm (S) Pte Ltd. Singapore 65 6841 2489 Tel 65 6841 2490 Fax
HTSingapore.info@hypertherm.com

Hypertherm (Shanghai) Trading Co., Ltd. PR China 86-21 5258 3330 /1 Tel 86-21 5258 3332 Fax
HTChina.info@hypertherm.com

Hypertherm Branch of Hypertherm UK, LLC England 00 800 3324 9737 Tel 00 800 4973 7329 Fax
HTUK.info@hypertherm.com

France (Representative office) 00 800 3324 9737 Tél 00 800 4973 7329 Fax
HTFrance.info@hypertherm.com

Hypertherm Europe B.V. Nederland 31 165 596907 Tel 31 165 596901 Fax
HTEurope.info@hypertherm.com

Hypertherm Japan Ltd. 81 6 6170 2020 Tel 81 6 6170 2015 Fax HTJapan.info@hypertherm.com

Hypertherm Brasil Ltda. 55 11 2409 2636 Tel 55 11 2408 0462 Fax HTBrasil.info@hypertherm.com

Hypertherm México, S.A. de C.V. 52 55 5681 8109 Tel 52 55 5683 2127 Fax ventas@hypertherm.com.mx

Australia/New Zealand (Representative office) 61 (0) 7 3219 9010 Tel 61 (0) 7 3219 9012 Fax
sales.au@hypertherm.com